



## VK-4102

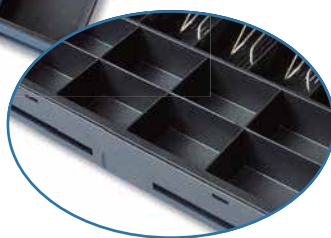
Made of heavy gauge steel , suitable for heavy duty use and prolonged operational life, the ideal choice for reliability and perfect platform for any EPOS terminal also the ideal base for large size ECR.



Durable Metal Wire Gripper Bill Holder  
Tested over one million operations

Easy and comfortable operation. Human  
Engineering Design

Removable cash tray



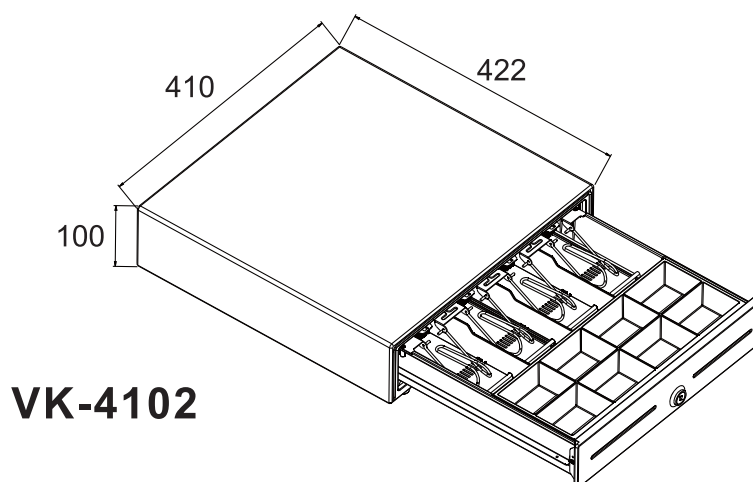
Media Slot Inside Cash Tray

# VK-4102 Specifications

<b>MODEL NUMBER</b>	VK-4102
<b>PHYSICAL</b>	
<b>Dimension</b>	410(W)x420(D)x100(H)mm
<b>Construction</b>	Thick gauge cold rolled steel & SECC
<b>Finish</b>	Textured hybrid powder coat
<b>Color</b>	Black, Beige and Custom type
<b>Roller</b>	Polyurethane for smooth operation
<b>CASH TRAY (INSERT)</b>	
<b>Construction</b>	Shatter-resistant plastic
<b>Currency Layout</b>	4,5,6,8-Bill with Metal Metal wire grips, 5,8 Removable Coin Slots
<b>Media Slots</b>	1
<b>OPERATION</b>	
<b>Drawer Lock</b>	3-Position lock / 4-Functions: locked open/closed, manual open, electronically driven
<b>Interface</b>	RJ11, RJ12, USB, RS232, DC $\Phi$ 2.5 /3.5 Jack, custom type
<b>Lifecycle</b>	MTBF 1,000,000 times +
<b>Micro Switch</b>	Cash Drawer Status Micro Switch

<b>OPTION</b>	<b>ACCESSORIES</b>	
	<b>Part Number</b>	<b>Description</b>
Micro-switch		
Cash tray with different currency layout	Bracket-4000	Under Mounting brackets
Different color	DT-100U	USB Trigger
Different interfaces	DT-100RS	Serial Interface Trigger

<b>Packing Details</b>			
<b>Models</b>	<b>Net Weight(kg)</b>	<b>Gross Weight(kg)</b>	<b>Carton Size(cm)</b>
VK-4102	7.2	8.3	47.0 x 48.0 x 17.0



*Specifications are subjected to change without notice.*